

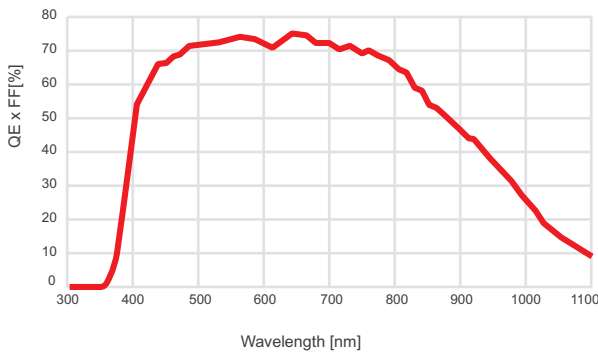
Ultra-large sCMOS Camera

Dhyana 4040

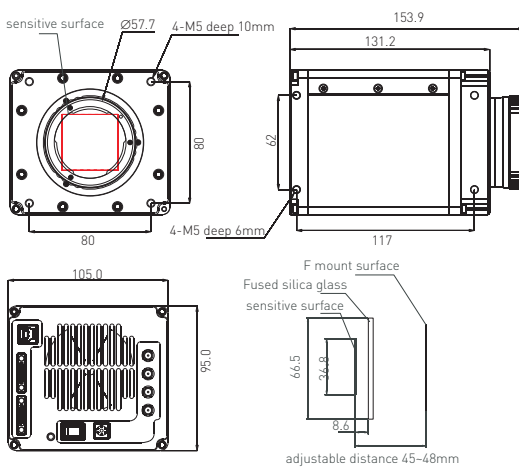


Product Advantages

- 3.2 inch ultra-large area array
- 4096*4096 high resolution
- 9 μm x 9 μm large pixel
- Long exposure time supported
- 70ke-High full well capacity
- Excellent cooling performance



Product structure



Specifications

Model	Dhyana 4040
Sensor model	FSI sCMOS
Shutter type	Rolling
Color/Mono	Mono
Effective area	36.9mm x 36.9mm
Resolution	4096(H) x 4096(V)
Pixel size	9 μm x 9 μm
QE	74%@600nm
Full-Well capacity	70ke-
Dynamic Range	86 dB
Frame rate	20fps@CameraLink; 10fps@USB3.0
Readout noise	3.6e- (Median value)
Exposure time	10 μs ~300s
DSNU	0.5 e-
PRNU	0.2%
Cooling Method	Air & Liquid
Cooling temperature	Air: (Ambient at +20):-20°C; Liquid: -30°C@20°C
Dark current	Air: 0.15e-/pixel/s; Liquid: 0.1e-/pixel/s
Binning	2x2/4x4
ROI	Support
TimeStamp	1 μs accuracy
GPS	Support
Trigger Mode	Hardware & Software
Output Trigger Signals	Exposure, Global, Readout, High level, Low level
Trigger Interface	SMA & CC1
Data Interface	USB3.0 & CameraLink
Data Bit Depth	12bit & 16bit
Optional Interface	Optional F-Mount/User-customization
Power Supply	12V/8A
Power Consumption	<45W
Dimensions	105mm x 95mm x 123.5mm
Weight	<2kg
Software	Mosaic1.6/Samplepro/MaximDL/Labview/Matlab
SDK	C/C++/C#
Operating System	Windows/Linux
Operating Environment	Working: Temperature -35 ~ 45°C/Humidity 0~95% Storage: Temperature -35 ~ 60°C/Humidity 0~95%

Tucsen Photonics Co., Ltd.

Tel: +86-591-28055080

Email: support@tucsen.com

Add: 5# Wanwushe Smart Industrial Park, No.2 Yangqi Branch Rd,
Gaishan Town, Cangshan Area, Fuzhou, Fujian, PRC, China.

www.tucsen.com